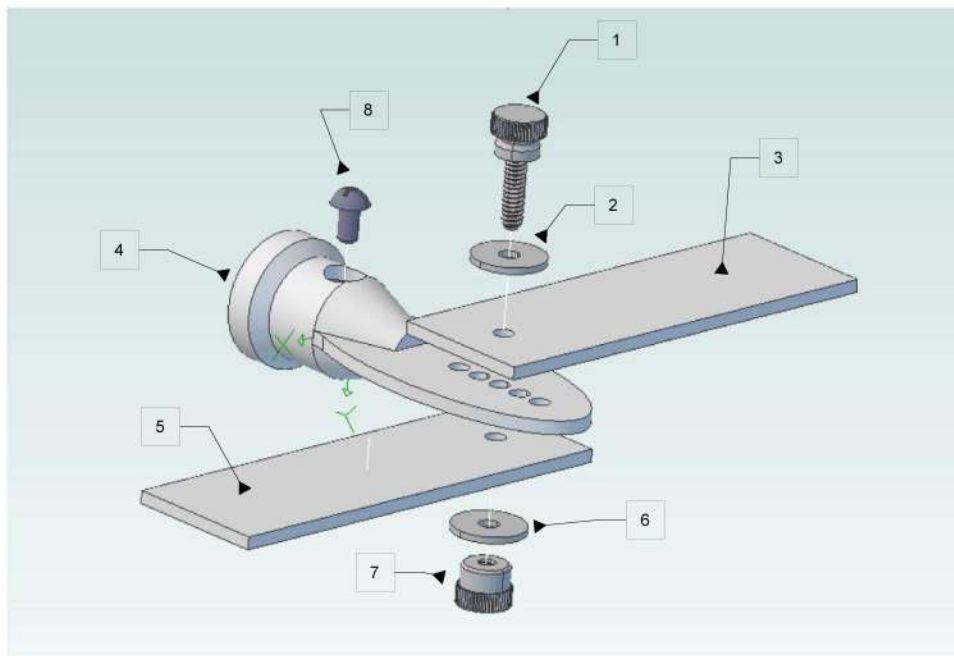




WONDERDUCK DECOYS
505 NORTH PRICE
MARSHALL, TX 75670
sales@wonderduck.com
For decoy repairs --- call
1-800-876-1697

Paddle Assembly Instructions

- I. Thread plastic screw (1) through top washer (2) then top foot (3), painted side of paddle foot should be outward.
- II. Thread plastic screw (with washer and top foot attached) through foot attachment (4). Note: The center hole is recommended for maximum water movement & decoy stability
- III. Slide bottom foot (5) then bottom washer (6) onto plastic screw, painted side of foot should be outward.
- IV. Fasten plastic nut (7) onto bottom of plastic screw.
- V. Move feet to desired position and tighten the plastic nut to hold feet in place.
- VI. Insert metal screw (8) into threaded hole of the foot attachment as indicated below.
- VII. Insert foot attachment onto either motor shaft. Be sure the foot attachment is all the way down onto motor shaft before tightening metal screw.



After placing paddling feet on decoy- Wonderduck's paddling feet work best when paddling foot is on outside foot attachment as it strikes the water. If paddling feet are not in correct position - do not remove feet - but slightly loosen nut on set screw - rotate feet - then retighten nut on screw. This feature will allow you to control the water motion depending on the position of the feet.